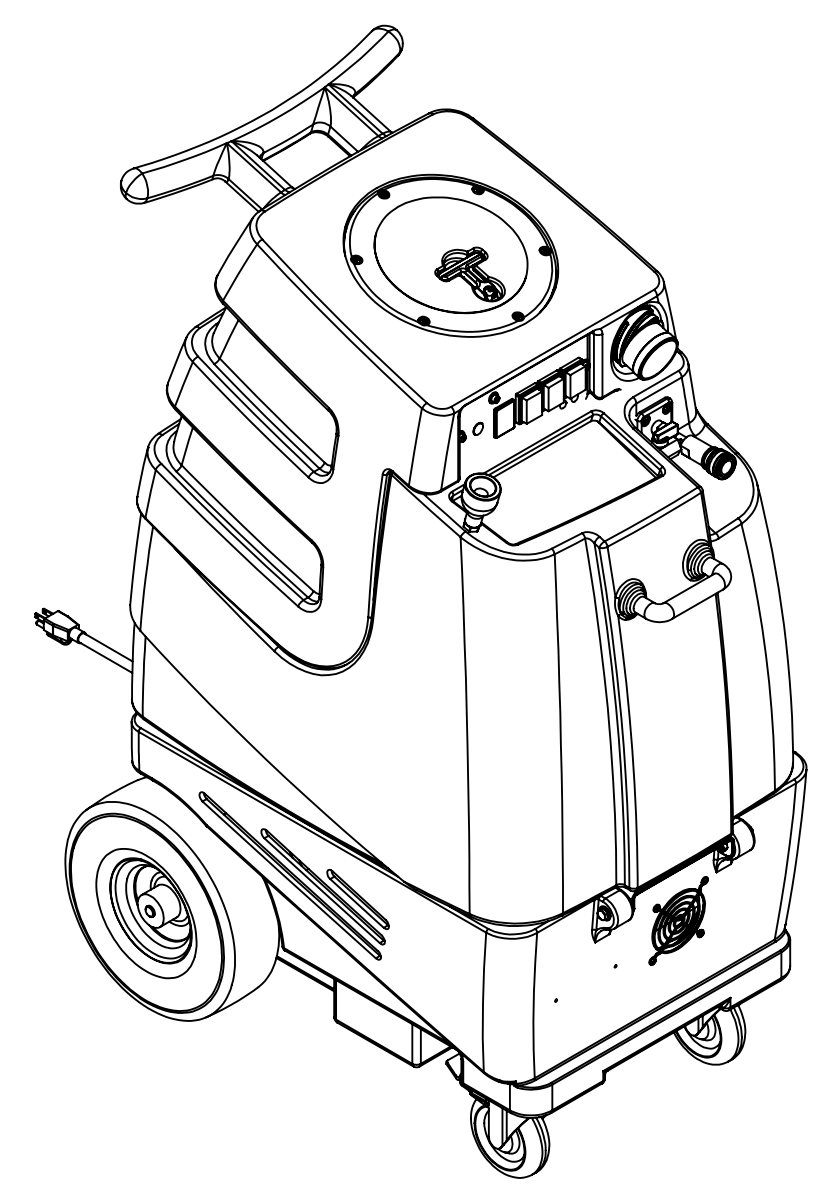


ITEM NO.	PART NO.	DESCRIPTION	QTY.
1	H304	screw, #8 x 5/8 phil oval, s/s	14
2	H296	guard, cooling fan, wire	2
3	H216	nut, lock, 1/4-20, nylon insert, s/s	10
4	H210	washer, 1/4" flat, s/s	22
5	H342	bolt, 1/4-20 x 1" hex head, s/s	8
6	H668	caster, 4", black hub & gray tread	2
7	H371	axle, 18.03" x .50" dia	1
8	H254	washer, axle, cut 1/2" id	8
9	H109	wheel, 10", foam filled	2
10	H042	c-clip, 12mm, external	2
11	H876	washer, 1/2 flat, s/s	4
12	G165	cover, relay	1
13	E632	relay, shut-off switch, mechanical float, 115v	1
14	H186	screw, 10-32 x 3/4, phil, flat, countersunk, s/s, black	2
15	E550	power cord, male end, blue lit, 25', 12/3, sjtw solid jacket	1
16	H220	fitting, strain relief, cord	1
17	H221	nut, lock, 1/2" steel, electrical	1
18	H273	nut, kep, #10-32 zinc	8
19	P731	base	1
20	PH615-26	sol hose, 1/2" kuri 100psi	1
21	B173	ferrule, 1/2", brass	2
22	B160	adapter, brass, 1/2" barb x 3/8" fsw, ball end	1
23	B186	elbow, 90 deg street, 3/8"mpt x 3/8" fmpt	1
24	B652	elbow, 90 deg, 3/8"mpt x 1/4"mpt	1
25	B142	coupling, 1/4" fpt x 1/4" fpt	1
26	H299	washer, 1 1/16" id x 1-1/2" od x .075, s/s	4
27	H222	screw, 10-32 x 1-1/4" phil pan head, s/s	4
28	C323D	pump, 220psi, diaphragm, 230V	1
29	B172	elbow, brass, 90 deg, 1/2" barb x 3/8"mpt	1
30	H912	bracket, rear, fb/spy	1
31	H770	bolt, 1/4-20 x 1/2" serrated hex flange, zinc	8
32	H307	washer, star, 1/4" steel zinc	2
33	G052	washer, buna 1-1/8" od x 3/16" id	6
34	H211	washer, 1/4" id x 1" od, flat, s/s	6
35	H202	bolt, 1/4-20 x 3/4" hex head, s/s	6
36	H124	Cuff-Lynx, 2" mpt x 2" female cuff	2
37	H194	coupler, 2" dia x 2.5" length, s/s	2
38	H217	clamp, hose, 2-1/4 dia	4
39	PH628-24	vac hose, 2", wire reinforced	1
40	H213	washer, 1/4" lock, s/s	10
41	H215	nut, hex, 1/4-20 s/s	2
42	PH612-60	tubing, clear, 1/2" OD x 3/8" ID, faucet fill	1
43	B241	adapter, brass, 3/8" barb x 1/4"mpt	1
44	H178	faucet fill	1
45	G018	cover, sol tank (sp)	1
46	P732	sol tank, speedster	1
47	H768	bolt, 1/4-20 x 3/4" serrated hex flange, zinc	2
48	AH206	sol hose, 1/4" x 28", 1/4 msw x 1/4 mpt	1
49	H484	plate, mounting, QD	1
50	H256	screw, 10-32 x 3/4" phil pan head	4
51	B142A	coupling, brass, 1/4" fpt x 1/4" fpt	1
52	B135	tee, 1/4" mpt x 1/4" mpt x 1/4" mpt	1
53	B102	quick disconnect, 1/4" fqd x 1/4" fpt	1
54	B656	valve, ball, 1/4" fpt x 1/4" fpt, s/s	1
55	B109	barb, 1/4" barb x 1/4" mpt	1
56	B170	ferrule, 1/4" brass	1
57	PH634-36	sol hose, 1/4", silicone braided, clear	1
58	H485	handle, aluminum grip, black	1
59	H378	bracket, front hinge, sp/fb	1
60	B119A	filter, strainer, 1/2" fpt	1
61	B210	bushing, brass, 1/2"mpt x 3/8" fpt, hex	1
62	B216	nipple, brass, 3/8" x close	1

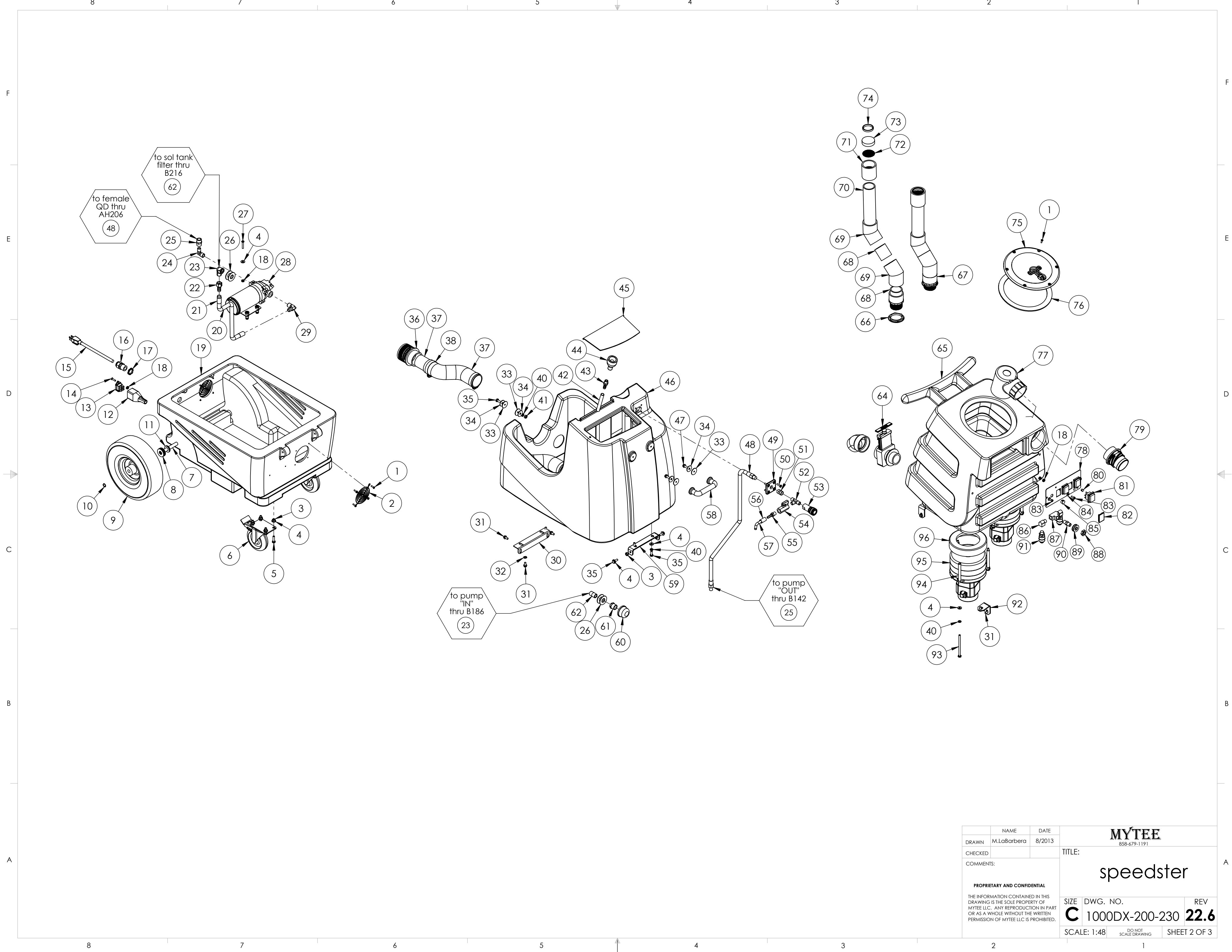
ITEM NO.	PART NO.	DESCRIPTION	QTY.
63	H226	spout, drain, 45 degree	1
64	H225	valve, drain, 1-1/2"	1
65	P733	vac tank, speedster	1
66	H314	nut, lock, 1-1/2", steel	2
67	P520	adapter, 1.5" mpt pvc	2
68	PH633-2.5	pipe, pvc, 1-1/2"	4
69	P503	adapter, 1.5" pvc, 45 deg, fslip	4
70	PH633-6.5	pipe, pvc, 1-1/2"	2
71	P502	adapter, 1.5" pvc, fslip x fslip	2
72	G097	filter, screen mesh, 1.90" dia	2
73	G003	filter, foam, 2", vac stack, 1/2"	2
74	PH633-1	pipe, pvc, 1-1/2"	2
75	G090	lid, vac tank, clear, 7"	1
76	G091	gasket, 7", vac lid	1
77	A926	elbow, inlet assembly 2"	1
78	H348	plate, switch, 1000DX-200	1
79	H135	Cuff-Lynx, 2" m cuff x 2" mpt	1
80	H422	plug, dome 3/8", black	2
81	E515	switch, rocker, 2 position	3
82	P967A	plug, switch	1
83	H389	screw, 10-32 x 1/2" SHCS, alloy	3
84	H612	waasher, #8, flat regular	3
85	H434	plug, vent, heyco, 1/2"	1
86	B103	elbow, 90 deg street, 1/4"mpt x 1/4" fpt	2
87	B113	tee, 1/4" fpt x 1/4" fpt x 1/4" fpt	1
88	B156	nut, 1/4" npt	1
89	H212	flat washer, 9/16" ID x 1 1/16" OD, AN960-C916	2
90	B107	nipple, hex, 1/4"mpt x 1/4"mpt	1
91	E373	level switch, vacuum shut-off, rear threads	2
92	H390A	bracket, "L", 2" x 2"	2
93	H096	bolt, hex, 1/4-20 x 4", zinc finish	6
94	H503	vac support, 3 stage, 3.25", no thrds	6
95	C304LA	vac motor, 3 stage, low amp, 240V, 110"	2
96	G004	gasket, vacuum motor	2

**ITEMS NOT SHOWN**

PART NO.	DESCRIPTION	QTY
E366	harness, electrical	1
G008	piglet filter	1
H141	Cuff-Lynx, 2" x 1.5" reducer	1
H110	Cuff-Lynx, 2" hose x 2" fem swivel Cuff-Lynx	1
E530	power cord, ext 50', 12/3 black	1
P568A	cord lock, s-type	1



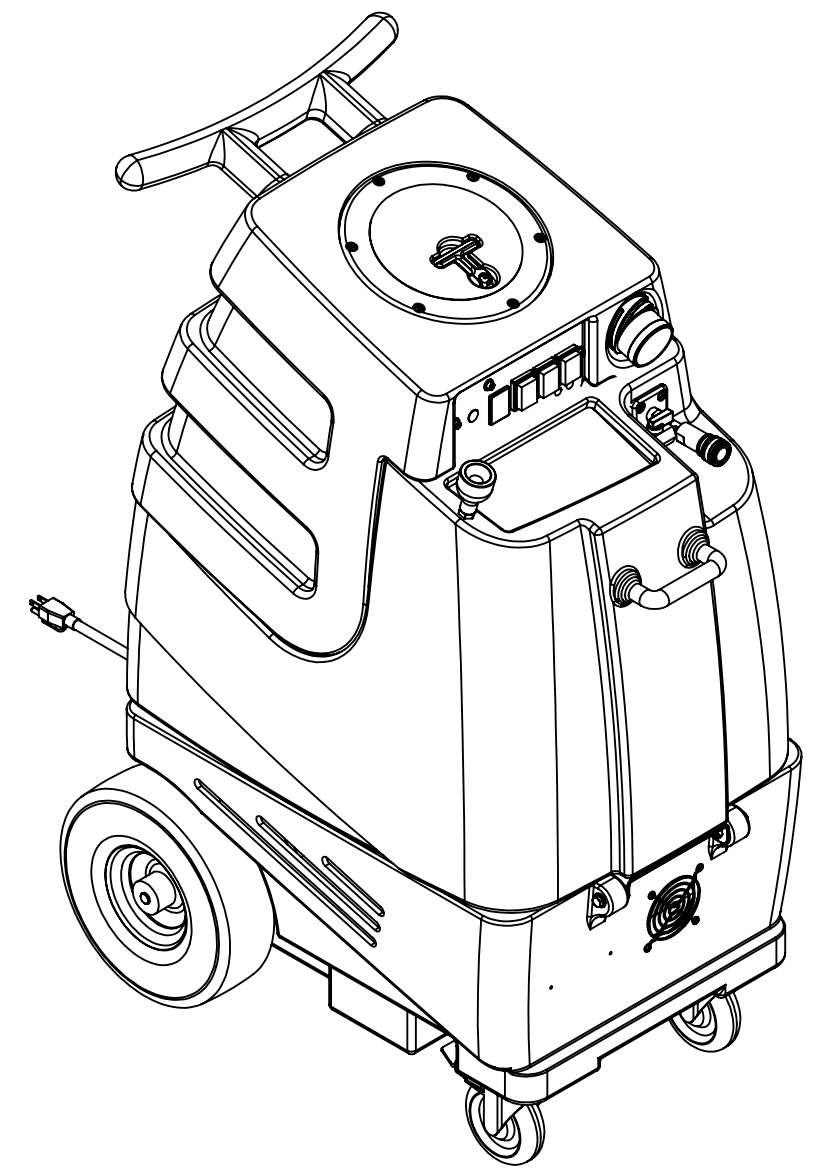
NAME	DATE	<b>MYTEE</b> 858-679-1191
DRAWN M.LaBarbera	8/2013	
CHECKED		TITLE:
COMMENTS:		<b>speedster</b>
<small>PROPRIETARY AND CONFIDENTIAL</small> <small>THE INFORMATION CONTAINED IN THIS DRAWING IS THE SOLE PROPERTY OF MYTEE LLC. ANY REPRODUCTION IN PART OR AS A WHOLE WITHOUT THE WRITTEN PERMISSION OF MYTEE LLC IS PROHIBITED.</small>		SIZE DWG. NO. REV <b>C</b> 1000DX-200-230 <b>22.6</b>
SCALE: 1:48	DO NOT SCALE DRAWING	SHEET 1 OF 3



	NAME	DATE	<b>MYTEE</b> 858-679-1191		
DRAWN	M.LaBarbera	8/2013			
CHECKED			TITLE:  <b>speedster</b>		
COMMENTS:					
<small>PROPRIETARY AND CONFIDENTIAL</small> <small>THE INFORMATION CONTAINED IN THIS DRAWING IS THE SOLE PROPERTY OF MYTEE LLC. ANY REPRODUCTION IN PART OR AS A WHOLE WITHOUT THE WRITTEN PERMISSION OF MYTEE LLC IS PROHIBITED.</small>			SIZE	DWG. NO.	REV
			<b>C</b>	<b>1000DX-200-230</b>	<b>22.6</b>
SCALE: 1:48			DO NOT SCALE DRAWING	SHEET 2 OF 3	

**REVISIONS**

REV.	DESCRIPTION	DATE	APPROVED
OD	ORIGINAL DRAFT	-	JFL
22.6	AH206 REPLACES AH120	6/2022	ML



	NAME	DATE	<b>MYTEE</b> 858-679-1191		
DRAWN	M.LaBarbera	8/2013			
CHECKED			TITLE:		
COMMENTS:			<b>speedster</b>		
<p><b>PROPRIETARY AND CONFIDENTIAL</b></p> <p>THE INFORMATION CONTAINED IN THIS DRAWING IS THE SOLE PROPERTY OF MYTEE LLC. ANY REPRODUCTION IN PART OR AS A WHOLE WITHOUT THE WRITTEN PERMISSION OF MYTEE LLC IS PROHIBITED.</p>			SIZE	DWG. NO.	REV
			<b>C</b>	1000DX-200-230	<b>22.6</b>
			SCALE: 1:48	DO NOT SCALE DRAWING	SHEET 3 OF 3